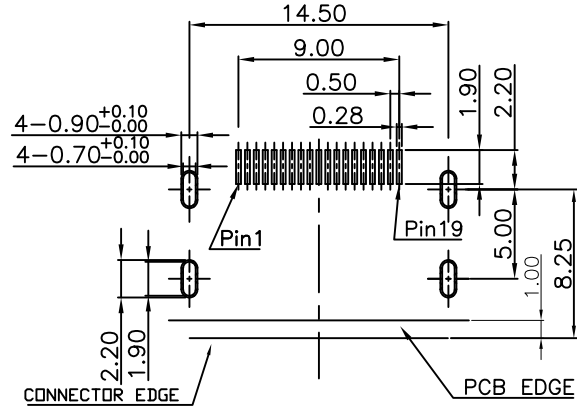
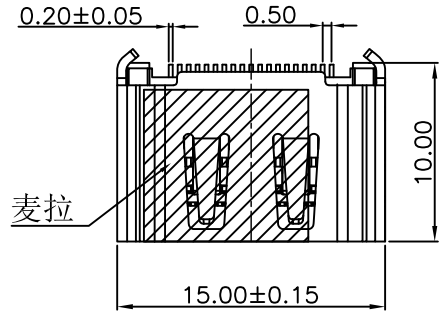
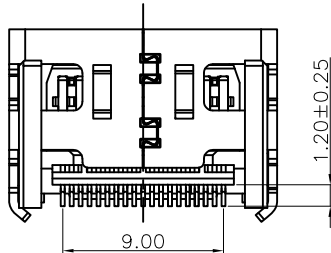
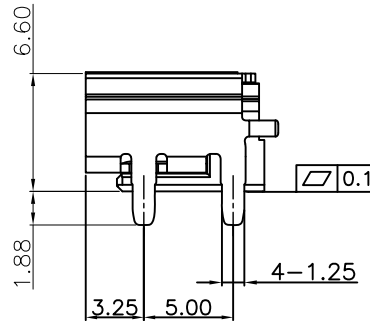
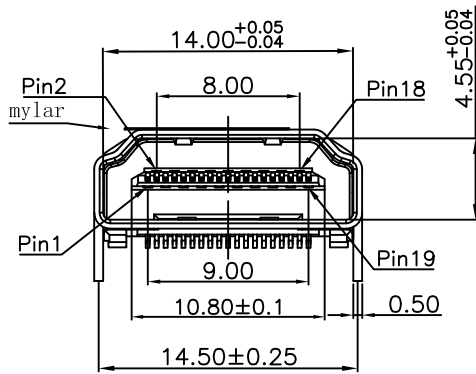


HDMI CONNECTOR FEMALE



RECOMMENDED PCB LAYOUT (TOP VIEW)
TOLERANCE: ±0.05mm

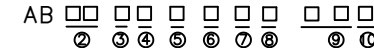


REV.	ECN NO.	DESCRIPTION	DATE	DESIGN
A0		NEW	2017.03.06	PACK
A1		变更料号	2019.7.28	PACK
A2		变更料号	2021.3.5	PACK

SPECIFICATIONS:

- ELECTRICAL CHARACTERISTICS
 - CURRENT RATING: 0.5 AMP
 - VOLTAGE RATING: 40 V
 - CONTACT RESISTANCE: 30MILLIOHMS MAX
 - INSULATION RESISTANCE: 100M MIN. @500V DC
 - DIELECTRIC WITHSTANDING VOLTAGE: 500V AC FOR 1 MINUTE
- MECHANICAL CHARACTERISTICS:
 - INSERTION FORCE : 4.5KGF MAX.
 - WITHDRAWING FORCE : 1KGF ~ 4KGF.
- LIFE TEST: 10000 CYCLES
- OPERATING TEMPERATURE: -25°C TO +85°C
- PART NO. DESCRIPTION:

HDMI 反向SMT成品料号

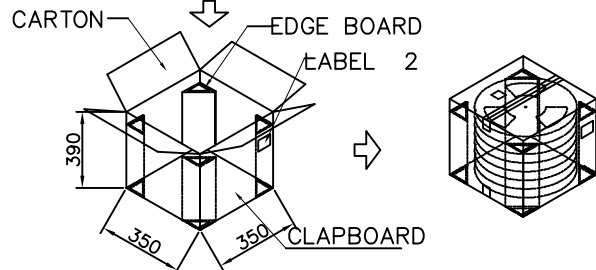
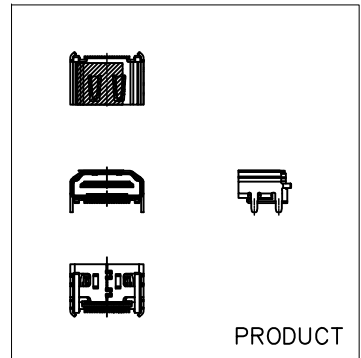
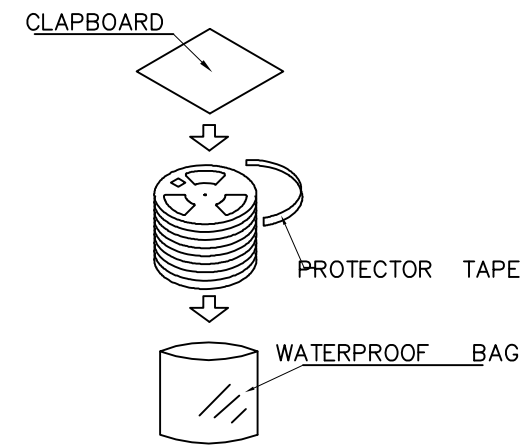
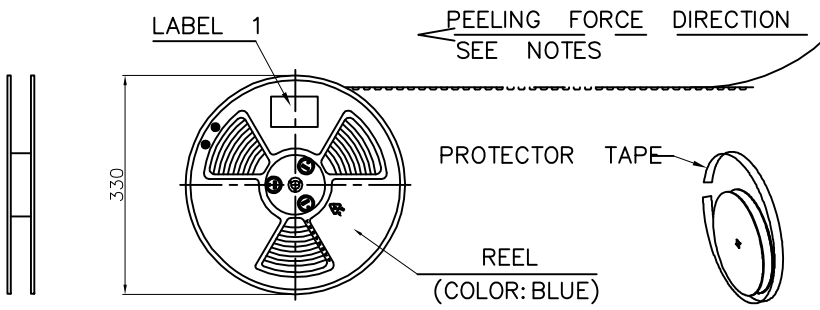
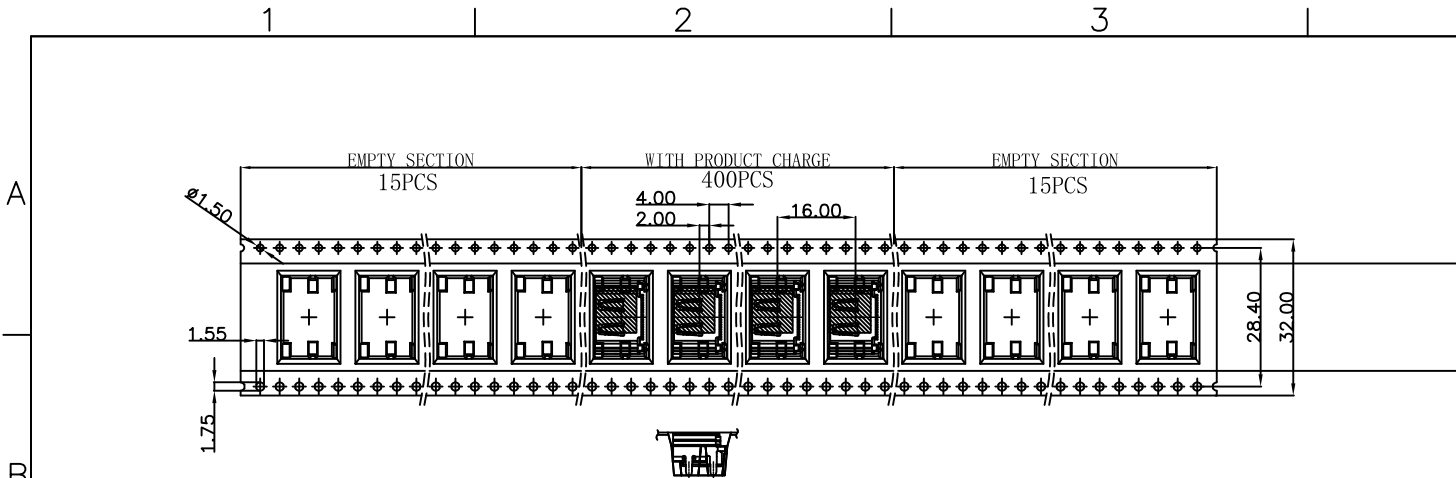


- ① 表示HDMI版本类别:
A=A版, 即旧版(修订版本见标题栏REV.)
B=B版, 即2.1版(修订版本见标题栏REV.)
- ② SERIES NO: _____
20 : HDMI 反向SMT
- ③ 外壳材质:
1. 黄铜
2. 铁材 (光面)
3. 铁材 (麻面)
4. S50C
5. 磷铜
6. 不锈钢
7. SK7
- ④ 外壳: 电镀
1. NICKEL PLATED (镀层全部镀可焊层最小50u")
2. GOLD FLASH PLATED
3. GOLD PLATED 0.6u"
4. GOLD PLATED 足1u"
5. GOLD PLATED 足3u"
6. 镀亚光镍 (连续镀)
7. 镀锡
- ⑤ 端子: 电镀规格
1 接触端1u"金, SMT端 亮锡
2 接触端3u"金, SMT端 亮锡
3 接触端5u"金, SMT端 亮锡
4 接触端15u"金, SMT端 亮锡
5 接触端30u"金, SMT端 亮锡
6 接触端1u"金, SMT端 1u"金
7 接触端1u"金, SMT端 雾锡
8 接触端3u"金, SMT端 雾锡
9 接触端15u"金, SMT端 雾锡
A 全金30"
B 接触端10u"金, SMT端 亮锡
C 接触端30u"金, SMT端 雾锡
D 接触端1u"金, SMT端 雾锡
- ⑥ 塑胶(需结合第10码版本类别, 区分塑胶)类型:
A: 反向SMT A款塑胶
- ⑦ PIN 脚的长度:
1: 1.2 mm
- ⑧ 特殊要求:
0: NO MARK
1: 贴麦拉
2: 麦拉上喷D/C
- ⑨ 外壳流水号:
01: 反向SMT MD 四直脚两弹片

D	MYLAR	1	PI FILM BROWN
C	SHELL	1	C2680R-H Ni 50u" T=0.5mm PLATING ALL OVER
B	TERMINAL	19	C2680R-H SEE PART NO.
A	HOUSING	1	LCP E130i UL94V-0 BLACK
NO	PART NAME	QTY	MATERIAL PLATING & COLOR

GENERAL DIMENSIONAL TOLERANCE .X = ±0.35 .X' = ±2.0' .XX = ±0.25 .X" = ±1.5' .XXX = ±0.15 .XX' = ±1.0'			
D.R. PACK 2021.3.5			
PROJECTION		UNIT mm	
CH.K JOHN 2021.3.5		PART NO. AB20111A1101A	
APV.D JOHN 2021.3.5		FILE NO.	
SIZE A4	SCALE 1:1	SHEET 1 OF 1	REV. A2

版本	日期	说明	ECN NO.	NAME
A	2022.6.21	NEW	01AORE1	JOHN



NOTES:

1. DIMNSION:

- CARTON: 350*350*390mm,K=K. (1PCS)
- EDGE BOARD: 340*310mm (4PCS)
- CLAPBOARD: 330*330mm (2PCS)

2. QUANTITY:

- 400 PCS/REEL
- 10 REELS/SHIPPING CARTON
- 4000 PCS/SHIPPING CARTON

3. 载带编号: 2001

▽ :Critical Dim ⊙ :Major CAV ±0.10 mm ±2°			PART NO.:	
			AB20111A1101A	
	DRAWN BY	PACK	DRAWING NO.	01AOR1
	CHECKED BY	JOHN	DRAWING SIZE	NA A4
	APPROVED BY	JOHN	UNIT	mm
	SORTING NO.		PAGE	1