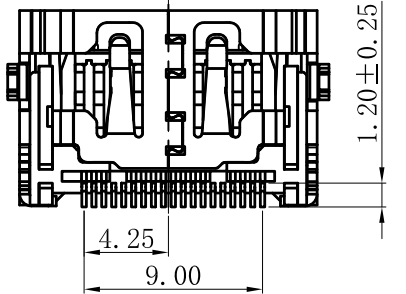
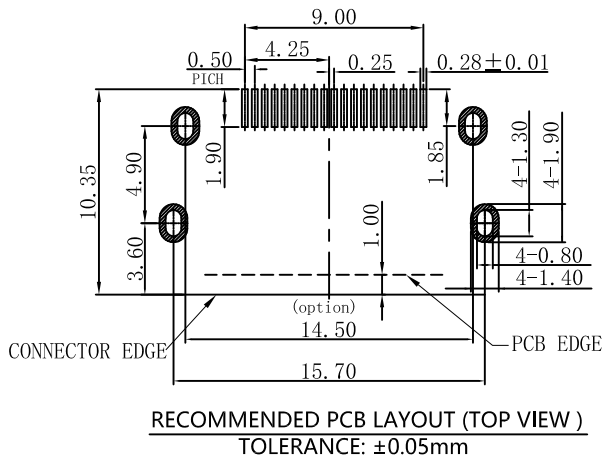
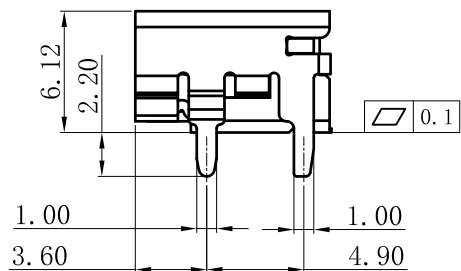
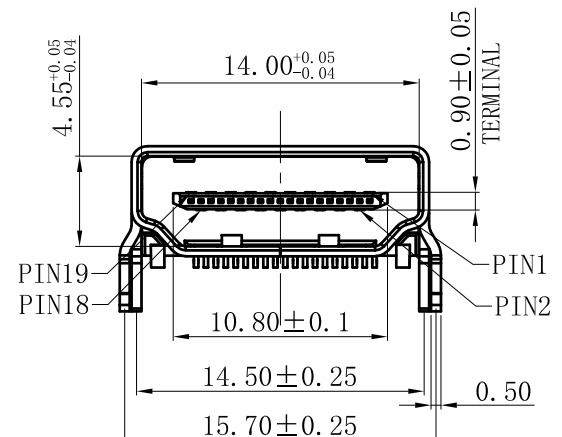
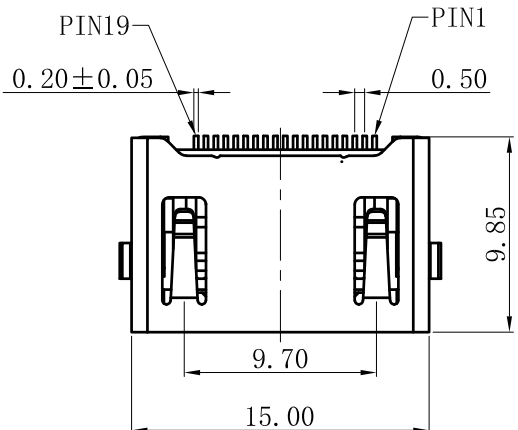
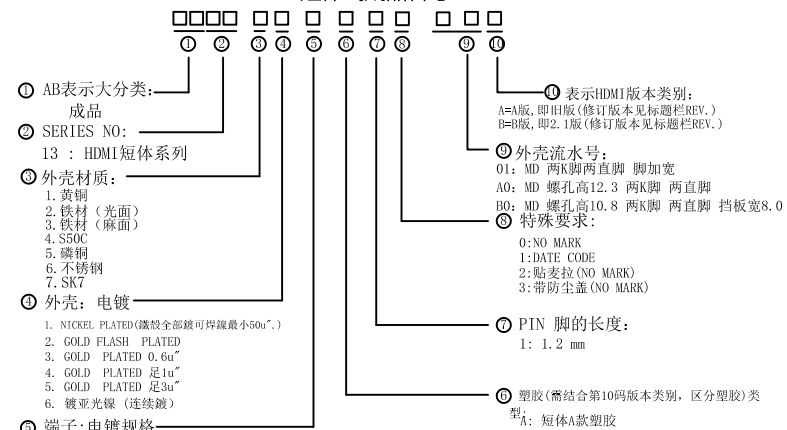


REV.	ECN NO.	DESCRIPTION	DATE	DESIGN
A0		NEW	2018.05.16	PACK
A1		外壳脚上部分加宽	2019.7.28	PACK
A2		料号变更	2020.3.25	PACK

SPECIFICATIONS:

- ELECTRICAL CHARACTERISTICS
 - CURRENT RATING: 0.5 AMP
 - VOLTAGE RATING: 40 V
 - CONTACT RESISTANCE: 30MILLIOHMS MAX
 - INSULATION RESISTANCE: 100M MIN. @500V DC
 - DIELECTRIC WITHSTANDING VOLTAGE: 500V AC FOR 1 MINUTE
- MECHANICAL CHARACTERISTICS:
 - INSERTION FORCE : 4.5KGF MAX.
 - WITHDRAWING FORCE : 1KGF ~ 4KGF.
- LIFE TEST: 10000 CYCLES
- OPERATING TEMPERATURE: -25° C TO +85° C
- PART NO. DESCRIPTION:

HDMI 短体式成品料号



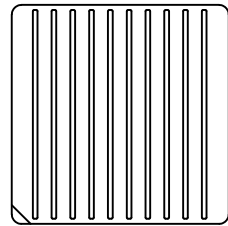
C	SHELL	1	S50C NI 50U" T=0.5mm PLATING ALL OVER
B	TERMINAL	19	C2680R-H SEE PART NO.
A	HOUSING	1	LCP E130i UL94V-0 BLACK
NO	PART NAME	QTY	MATERIAL PLATING & COLOR

GENERAL DIMENSIONAL TOLERANCE			
.X	=±0.35 .°		
.XX	=±0.25 .X°	=±1.5°	
.XXX	=±0.15 .XX°	=±1.0°	
PROJECTION	UNIT	D.R.	NAME:
	mm	PACK 2021.3.25	HDMI Slim短体S50C外壳镀镍 两K脚两直脚脚加宽 四弹片端子 半金亮锡1u"
SIZE	A4	CH.K	PART NO.
SCALE	1:1	JOHN 2021.3.25	AB13411A1001A
		APV.D	FILE NO.
		JOHN 2021.3.25	SHEET 1 OF 1
			REV. A2

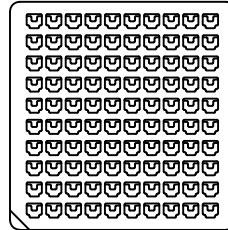
版本	日期	说明	ECN NO.	NAME
A	2022.6.21	NEW	01AORE 1	JOHN

A
B
C
D
F

1 2 3 4 5



UP COVER

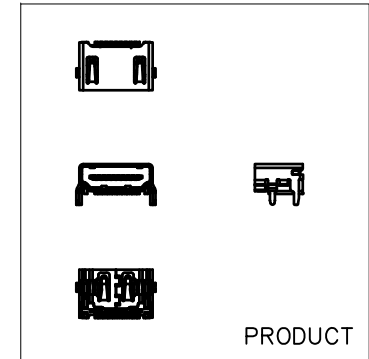
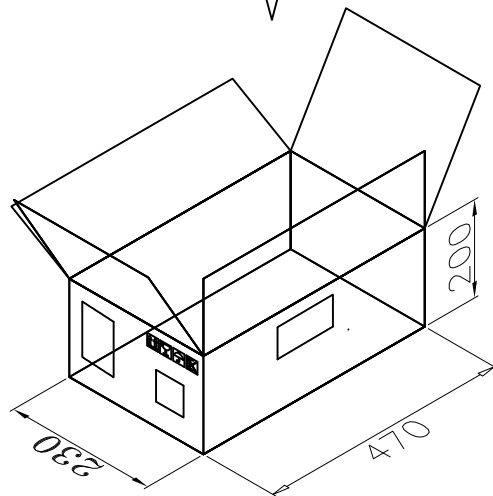


BOTTOM COVER

100PCS/TRAY



3000PCS/CTN

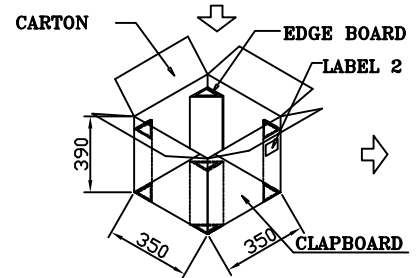
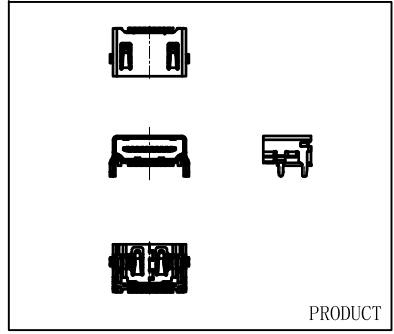
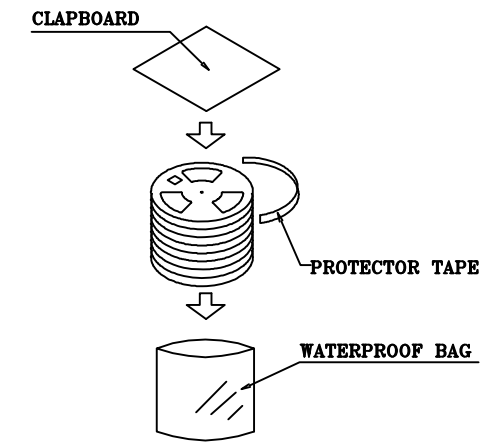
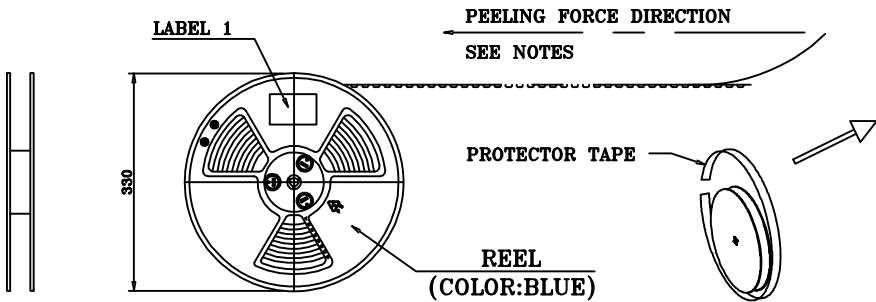
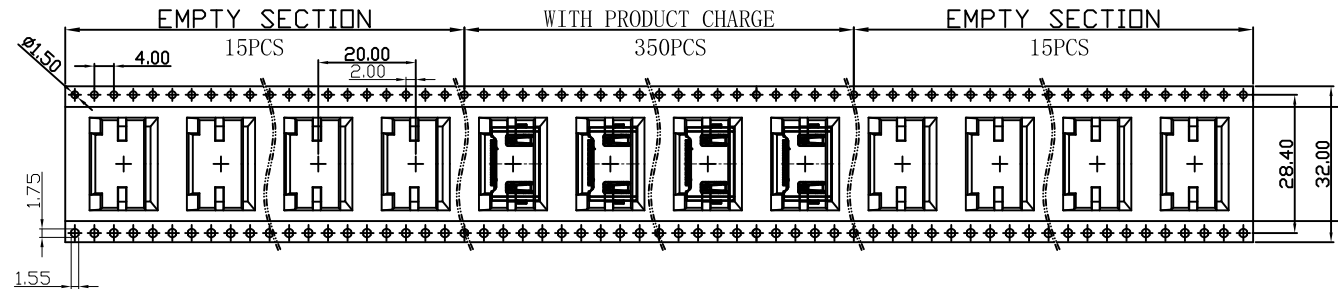


NOTE:

- 1.PACKING:100PCS/TRAY,3000PCS/CARTON.
- 2.CARTON SIZE: 470*230*200MM

▽:Critical Dim ©:Major CAV ±0.10 mm 一般尺度公差 一般角度公差 ±2°	CONSHARE		PART NO.: AB 13411A1001A	
	DRAWN BY	PACK	DRAWING NO.	01AORE 1
	CHECKED BY	JOHN	DRAWING SIZE	NA A4
	APPROVED BY	JOHN	UNIT	mm
	SORTING NO.		PAGE	1

版本	日期	说明	ECN NO.	NAME
A	2018.12.06	新版发行	SXJ-0087	JOHN



- NOTES:**
- DIMENSION:**
 CARTON: 350X350X390 mm, K=K. (1PCS)
 EDGE BOARD: 400X310mm (4PCS)
 CLAPBOARD: 330X330mm (2PCS)
 - QUANTITY:**
 350PCS/REEL
 10REELS/SHIPPING CARTON
 3500PCS/SHIPPING CARTON

▽:Critical Dim	CONSHARE		PART NO.:	
◎:Major CAV			AB 13411A1001A	
一般尺度公差 ±0.10 mm	DRAWN BY	JOHN	DRAWING NO.	SXJ-0087
一般角度公差 ±2°	CHECKED BY		DRAWING SIZE	NA A4
⊕	APPROVED BY		UNIT	mm
	SORTING NO.		PAGE	1