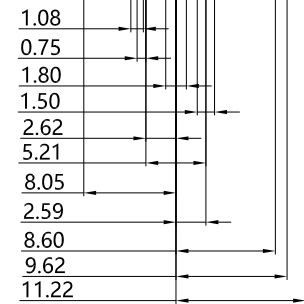
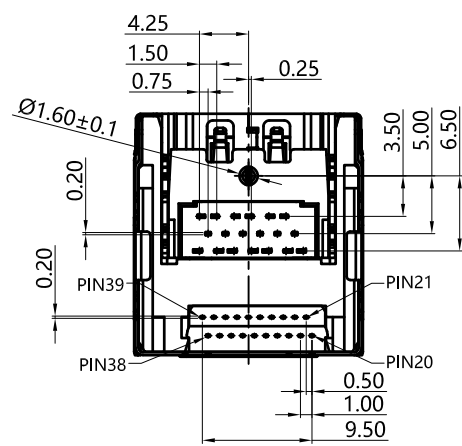
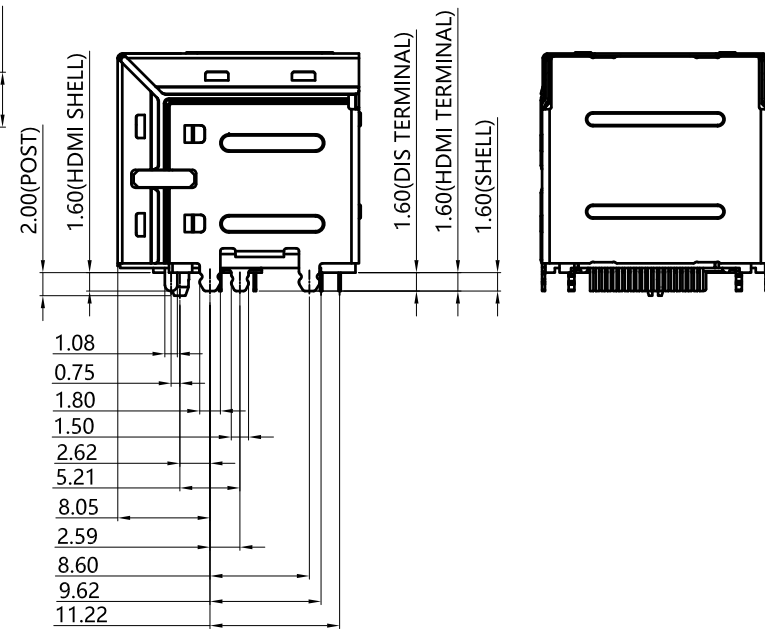
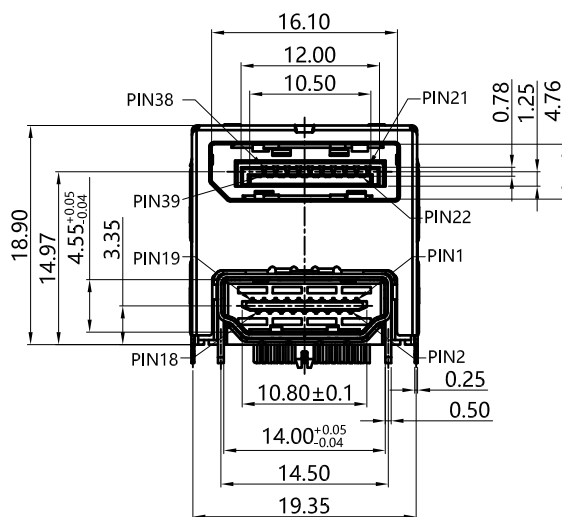
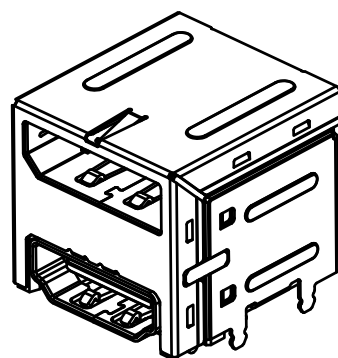
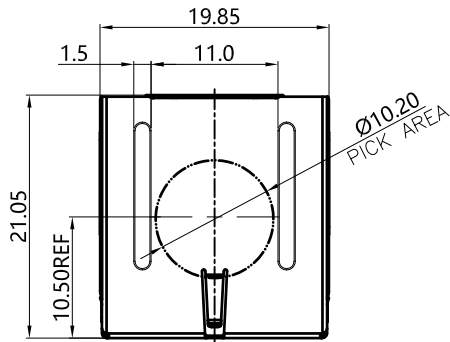
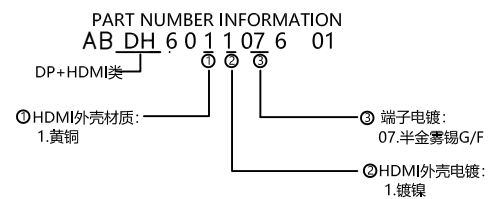


REV.	ECN NO.	DESCRIPTION	DATE	DESIGN
A0		NEW	2022.9.5	PACK



- 1.MATERIAL SPECIFICATION:**
- 1-1.DISPLAYPORT MATERIAL SPECIFICATION.
 - 1-1-1.HOUSING: LCP(UL 94V-0) BLACK.
 - 1-1-2.COVER:LCP(UL 94V-0) BLACK.
 - 1-1-3.CONTACTS: BRASS(C2680),T=0.20mm.
 - 1-1-4.FRONG SHELL: STAINLESS STEEL(SUS304),T=0.2mm.
 - 1-1-5.BACK SHELL: STAINLESS STEEL(SUS304),T=0.25mm.
 - 1-1-6.INTERIOR SHELL:STAINLESS STEEL(SUS304),T=0.40mm.
 - 1-2.HDMI MATERIAL SPECIFICATION.
 - 1-2-1.HOUSING: LCP(UL 94V-0) BLACK.
 - 1-2-2.COVER:LCP(UL 94V-0) BLACK.
 - 1-2-3.CONTACTS: BRASS(C2680),T=0.20mm.
 - 1-2-4.SHELL:BRASS(C2680),T=0.50mm.
- 2.PLATING SPECIFICATION:**
- 2-1.DISPLAYPORT PLATING.
 - 2-1-1.CONTACTS:
 - NI 50u"MIN.UNDERPLATED VOERALL.
 - GOLD FLASH ON THE FUNCTIONAL AREA OF CONTACT.
 - 50u"MIN MATTE TIN PLATED ON SOLDER AREA.
 - 2-1-2.BACK SHELL:
 - NI 50u"MIN UNDERPLATED VOERALL.
 - 2-2.HDMI PLATING.
 - 2-2-1 CONTACT:
 - NI 50u"MIN.UNDERPLATED VOERALL.
 - Au PLATED(SEE TABLE) ON THE FUNCTIONAL AREA OF CONTACT.
 - 50u"MIN MATTE TIN PLATED ON SOLDER AREA.
 - 2-2-2 SHELL: NI 50u"MIN UNDERPLATED OVERALL.
- 3. ELECTRICAL CHARACTERISTICS**
- 3-1. CURRENT RATING: 0.5 AMP
 - 3-2. VOLTAGE RATING: 40 V
 - 3-3. CONTACT RESISTANCE: 30MILLIOHMS MAX
 - 3-4. INSULATION RESISTANCE:100M MIN.@500V DC
 - 3-5. DIELECTRIC WITHSTANDING VOLTAGE: 500V AC FOR 1 MINUTE
- 4. MECHANICAL CHARACTERISTICS:**
- 4-1. INSERTION FORCE : 4.5KGF MAX.
 - 4-2. WITHDRAWING FORCE : 1KGF ~ 4KGF.
- 5. LIFE TEST: 10000 CYCLES**
- 6. OPERATING TEMPERATURE: -25°C TO +85°C**



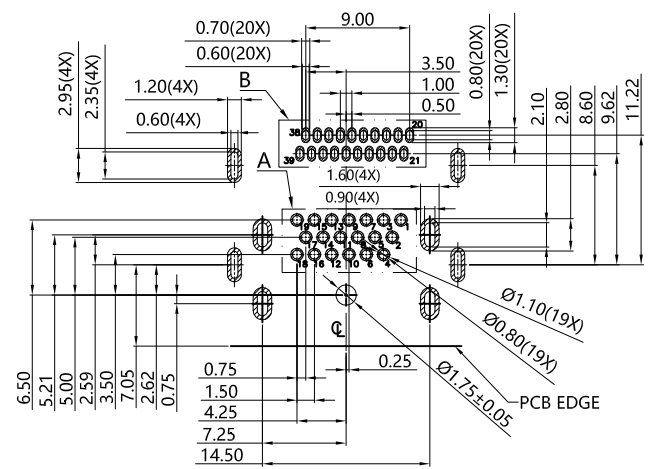
GENERAL DIMENSIONAL TOLERANCE			
X =±0.38 .’ =±2.0’ .XX =±0.25 .X’ =±1.5’ .XXX=±0.15 .XX’=±1.0’			
PROJECTION	UNIT	D.R.	NAME:
	mm	PACK 2022.9.5	DP+HDMI连接器母座 端子G/F
		CH.K JHON 2022.9.5	PART NO. ABDH601107601
		APV.D JHON 2022.9.5	FILE NO. SHEET 1 OF 2 REV. A0

CUSTOMER

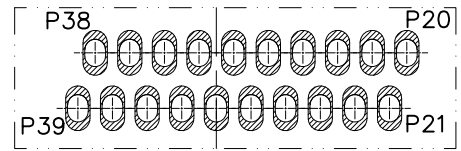
REV.	ECN NO.	DESCRIPTION	DATE	DESIGN
AO		NEW	2022.9.5	PACK

HDMI PIN ASSIGNMENT	
PIN	SIGNAL TYPE
1	TMDS Data2+
2	TMDS Data2 Shield
3	TMDS Data2-
4	TMDS Data1+
5	TMDS Data1 Shield
6	TMDS Data1-
7	TMDS Data0+
8	TMDS Data0 Shield
9	TMDS Data0-
10	TMDS Clock+
11	TMDS Clock Shield
12	TMDS Clock-
13	CEC
14	Utility
15	SCL
16	SDA
17	DDC/CEC Ground
18	+5V Power
19	Hot Plug Detect
Shell	Shield

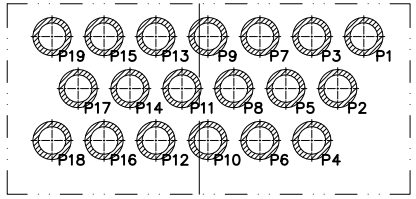
Displayport Pin Assignment	
PIN	SIGNAL TYPE
20	In/Out
21	GND
22	In/Out
23	In/Out
24	GND
25	In/Out
26	In/Out
27	GND
28	In/Out
29	In/Out
30	GND
31	In/Out
32	Config
33	Config
34	I/O
35	GND
36	I/O
37	Out/In
38	Rtn
39	Power Out/PWR Out



RECOMMENDED DP& HDMI PCB LAYOUT (COMPONENT SIDE)
(TOP VIEW) DEFAULT TOL±0.05



DETAIL B
SCALE 3:1



DETAIL A
SCALE 3:1

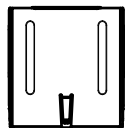
GENERAL DIMENSIONAL TOLERANCE	
.X =±0.38 .° =±2.0°	
.XX =±0.25 .X° =±1.5°	
.XXX=±0.15 .XX°=±1.0°	
PROJECTION	UNIT
	mm
SIZE A4	SCALE 1:1



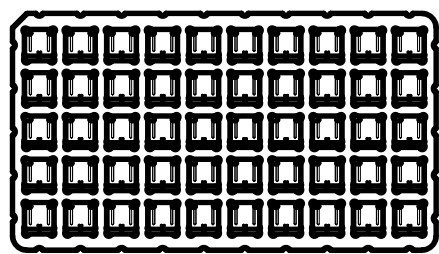
D.R.	PACK 2022.9.5	NAME:-	
CH.K	JHON 2022.9.5	DP+HDMI 连接器母座 端子G/F	
APV.D	JHON 2022.9.5	PART NO. ABDH601107601	
		FILE NO.	SHEET 2 OF 2 REV. AO

CUSTOMER

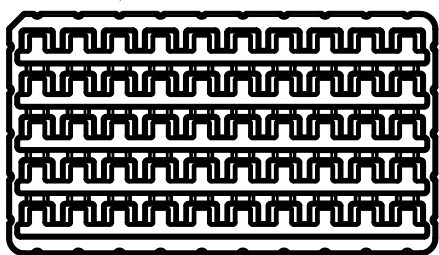
REV.	ECN NO.	DESCRIPTION	DATE	DESIGN
A0		NEW	2022.9.5	PACK
A1		纸箱尺寸修正 改用透明胶 装PE袋	2023.5.13	PACK



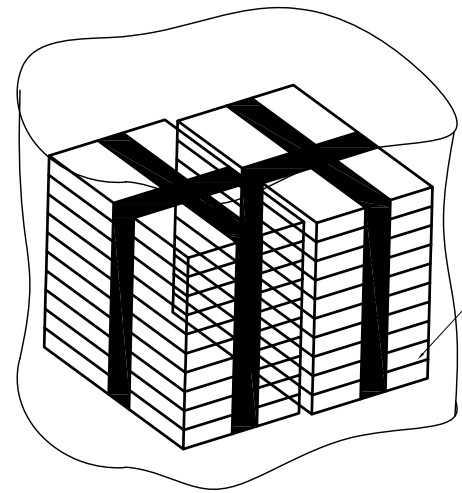
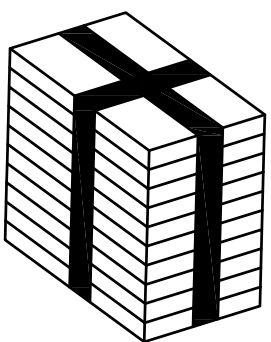
1、将产品放入吸塑盒 50PCS/盒



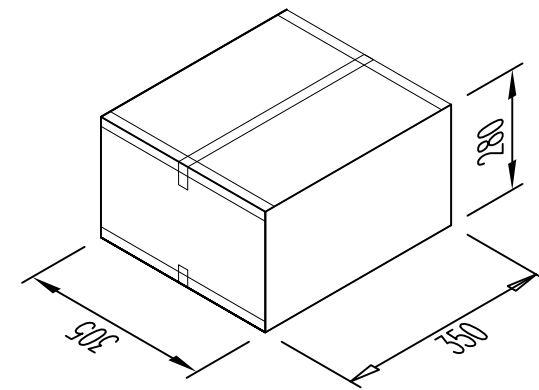
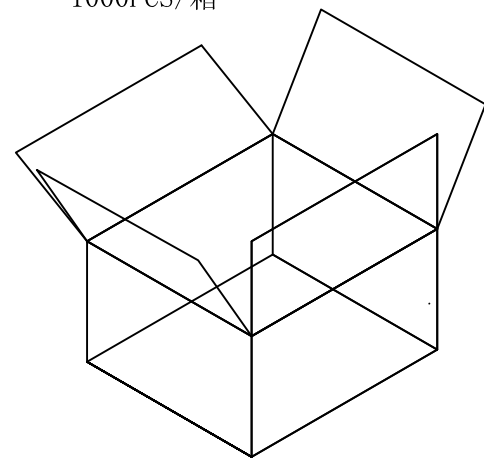
2、50PCS/盒，盖上盖子



3、每盘四周贴透明胶，10盒一叠，用缠绕带缠好



4、纸箱上下各放一纸板，两叠产品一箱 1000PCS/箱



5、封箱，按客户要求贴标签

备注：
 1. 纸箱尺寸:350*305*280mm(长*宽*高)
 底尺寸: 295.5*166*15mm(长*宽*高)
 盖尺寸: 298*168*26.3mm(长*宽*高)
 2. 数量：
 50PCS/盒
 20盒/箱
 1000PCS/箱

GENERAL DIMENSIONAL TOLERANCE					
X = ±0.38	° = ±2.0'				
.XX = ±0.25	.X = ±1.5'	D.R.	PACK 2023.5.13	NAME:	DP+HDMI连接器母座包装图
.XXX = ±0.15	.XX = ±1.0'	CH.K	JHON 2023.5.13	PART NO.	AB DH 601107601
PROJECTION	UNIT	APV.D	JHON 2023.5.13	FILE NO.	SHEET 1 OF 1
	mm	SIZE	A4	SCALE	NA
				REV.	A1

CUSTOMER