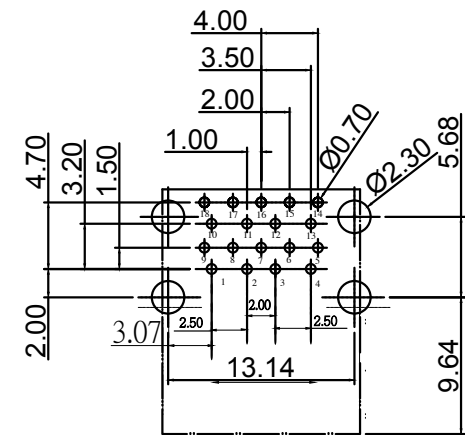
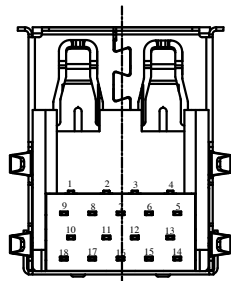
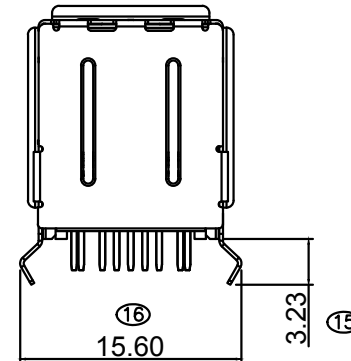
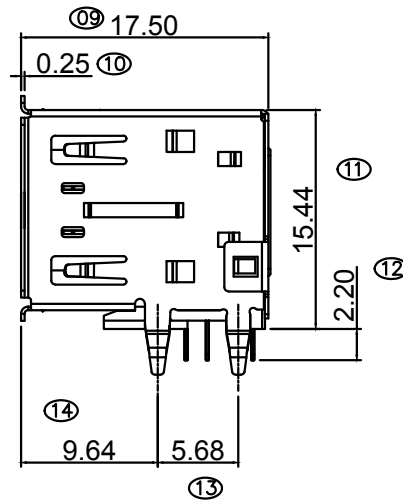
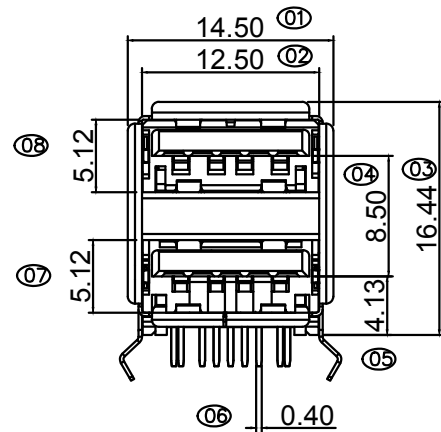
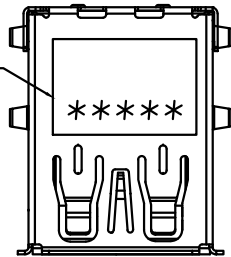


REV.	ECN. NO.	DATA
A	NEW RELEASE	2019.06.04

5	COVER	PA66+30%G.F, UL94V-0		BLUE
4	HOUSING	PA66+30%G.F, UL94V-0		BLUE
3	MIDDLE BULLET	SK7 T=0.25	30u"Min Nickel Plated & Copper Plated	
2	SHELL	SUS430 T=0.25	60u"MIN MATTE TIN PLATING ON SOLDER TAILS OVER 20u"MIN NICKEL.	
1	CONTACTS	Copper Alloy T=0.20	Au G/F & 80u"Matte Tin Plated & 50u"Nickel Plated	
	NAME	MATERIAL	PLATING	COLOR

DATA CODE



RECOMMENDED P.C.B HOLE LAYOUT
TOP VIEW(TOLERANCE:±0.05)

X. ± 0.50	X° ± 5°	DRAWN	NAME(INTENDED USE)		SHEET
.X ± 0.35	.X° ± 3°	DESIGN	CUSTOMER		
.XX ± 0.30	.XX° ±	CHECKED	PART NO.(INTENDED USE)	TITLE	1/1
.XXX ± 0.20	.XXX° ±	APPROVED	AQ00D121D21LH	双层USB 3.0 成品(一体式外壳弯脚)	
	UNITS: MM	SCALE: 1:1			