

REV.	ECN NO.	DESCRIPTION	DATE	DESIGN
AO		NEW	2022.6.16	PACK

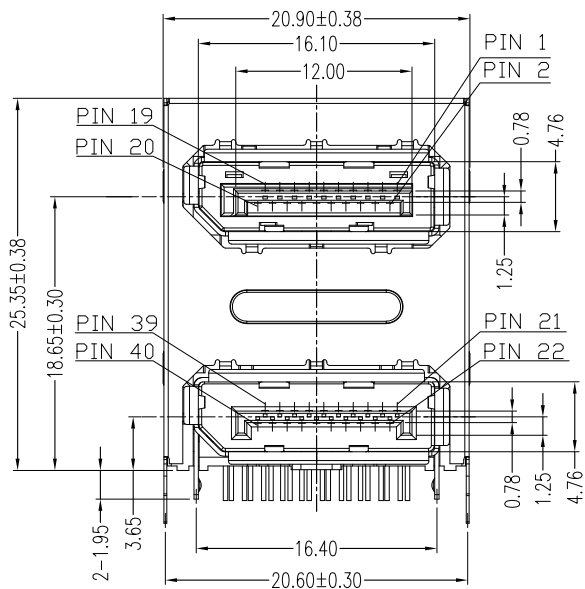
SPECIFICATIONS

- Displayport
 - Voltage: 40 VAC(RMS) Max.
 - Current Rating: 0.5 Ampere per Pontact
 - Contact Resistance: 30 Milliohms Max.
 - Insulation Resistance: 100 Megohms Min.
 - Dielectric Withstanding Voltage:
 - Unmated connectors, apply: 500Volts AC (RMS)
 - Mated connectors, apply: 300Volts AC (RMS)
 - Total Mating Force: 4.5 Kgf Max.
 - Total Unmating Force: 1.0 Kgf Min.
 - Operating Temperature: -25°C to +85°C

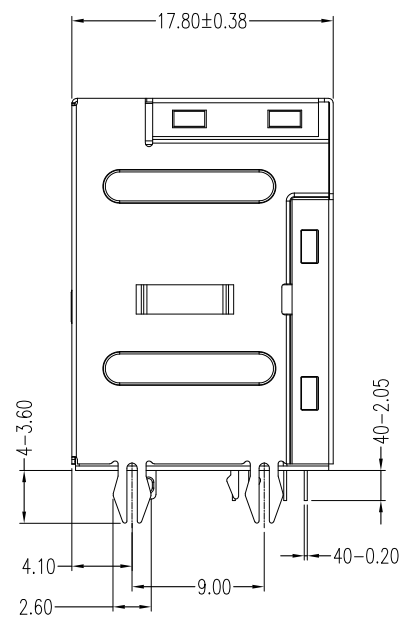
NOTES

- MATERIAL:**
 - Housing: LCP, UL 94V-0, Color: Black.
 - Terminal: Brass.
 - Shell(UPPER): Stainless Steel.
 - Shell(LOWER): Stainless Steel.
 - Shield(FRONT): Stainless Steel.
 - Shield(BACK): Stainless Steel.
- FINISH:**
 - Terminal: Selected Gold Plated in Contact Area, 100u" MIN. Matte Tin Plated in Solder Area, 50u" MIN. Nickel Underplated Overall.
 - Shell(LOWER): Solderable Nickel Plated.
 - Shield(FRONT): Solderable Nickel Plated.
- This Product is RoHS Compliance Product.

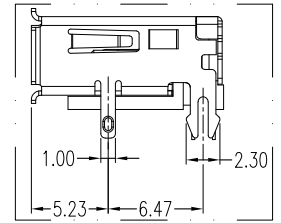
A



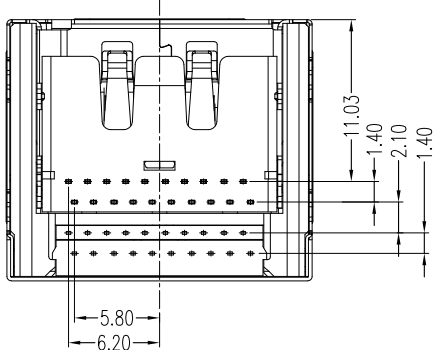
B



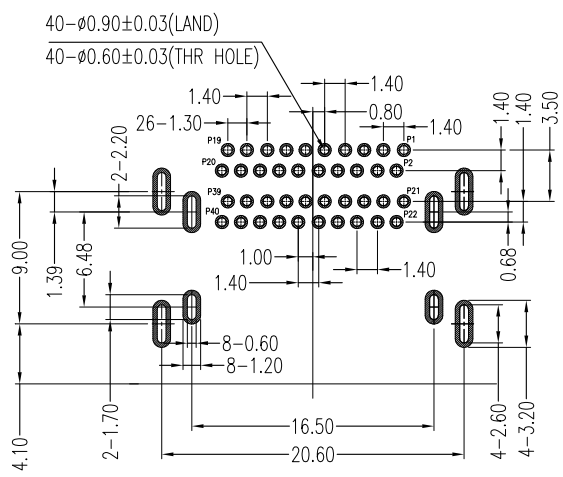
C



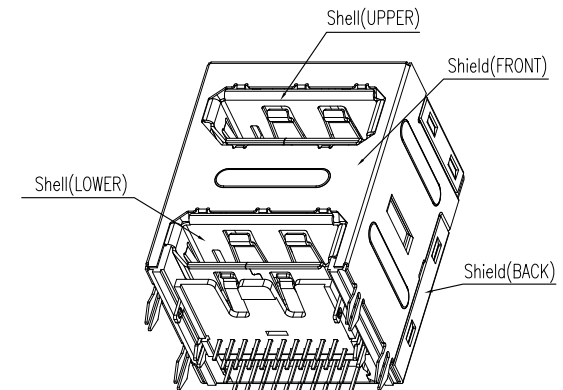
D



E



RECOMMENDED P.C.B. LAYOUT (COMPONENT SIDE VIEW)
TOL IS ±0.05 THICKNESS=1.6 ALL POSITION TOL Φ 0.06 | X | Y



GENERAL DIMENSIONAL TOLERANCE .X = ±0.35 .: = ±2.0' .XX = ±0.25 .X' = ±1.5' .XXX = ±0.15 .XX' = ±1.0'				
D.R.	PACK 2022.6.16			NAME: 双层DP 鱼叉脚
PROJECTION	UNIT	CH.K	JOHN 2022.6.16	PART NO. ABPDP01780011
SIZE A4	SCALE 1:1	APV.D	JOHN 2022.6.16	FILE NO. SHEET 1 OF 1 REV. AO

CUSTOMER

1

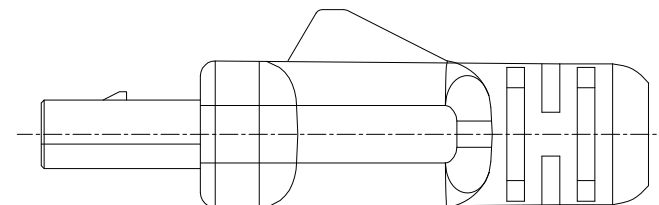
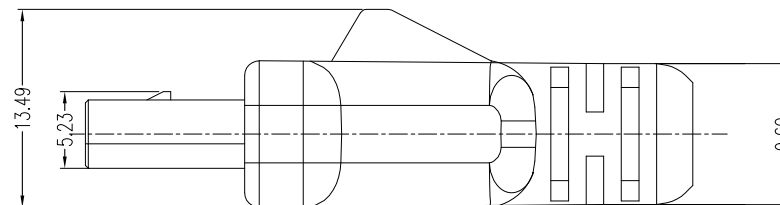
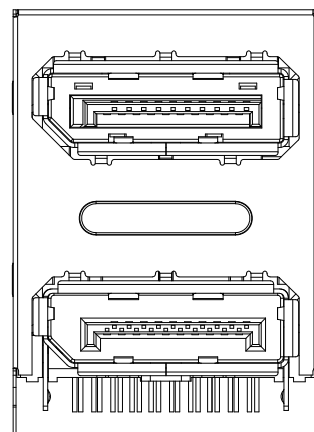
2

3

4

5

REV.	ECN NO.	DESCRIPTION	DATE	DESIGN
AO		NEW	2022.6.16	PACK



PLUG AND CONNECTOR MATED CONDITION

AB P DP0 1XXX0XX

SERIES NO.

TOP CONNECTOR TYPE

P: DISPLAYPORT 20-POS. FEMALE

BOTTOM CONNECTOR TYPE

DP: DISPLAYPORT 20-POS. FEMALE

CONTACT MATERIALS

1: BRASS

CONTACT FINISH

7: G/F MATTE TIN

8: 15u" GOLD MATTE TIN

INSULATOR MATERIALS

2: LCP

COLOR STYLE

1: ALL BLACK

HOUSING CONSTRUCTION

0: WITHOUT POLES

FRONT SHELL FINISH

1: TIN

3: TIN(SALT SPRAY:72 HOURS)

8: SOLDERABLE NICKEL

PIN ASSIGNMENT

PIN No.		SOURCE-SIDE	SINK-SIDE
P1	P21	ML_Lane 0(p)	ML_Lane 3(n)
P2	P22	GND	GND
P3	P23	ML_Lane 0(n)	ML_Lane 3(p)
P4	P24	ML_Lane 1(p)	ML_Lane 2(n)
P5	P25	GND	GND
P6	P26	ML_Lane 1(n)	ML_Lane 2(p)
P7	P27	ML_Lane 2(p)	ML_Lane 1(n)
P8	P28	GND	GND
P9	P29	ML_Lane 2(n)	ML_Lane 1(p)
P10	P30	ML_Lane 3(p)	ML_Lane 0(n)
P11	P31	GND	GND
P12	P32	ML_Lane 3(n)	ML_Lane 0(p)
P13	P33	CONFIG1	CONFIG1
P14	P34	CONFIG2	CONFIG2
P15	P35	AUX CH (p)	AUX CH (p)
P16	P36	GND	GND
P17	P37	AUX CH (n)	AUX CH (n)
P18	P38	HOT PLUG DETECT	HOT PLUG DETECT
P19	P39	RETURN	RETURN
P20	P40	DP PWR	DP PWR

GENERAL DIMENSIONAL TOLERANCE	
.X =±0.35 . : =±2.0'	
.XX =±0.25 .X' =±1.5'	
.XXX=±0.15 .XX'=±1.0'	
PROJECTION	UNIT
	mm
SIZE A4	SCALE 1:1

CNSHARE

D.R. PACK 2022.6.16

NAME: 双层DP 鱼叉脚

CH.K JOHN 2022.6.16

PART NO. ABPDP01780011

APV.D JOHN 2022.6.16

FILE NO. SHEET 1 OF 1 REV. AO

CUSTOMER

1

2

3

4

5

REV.	ECN NO.	DESCRIPTION	DATE	DESIGN
AO		NEW	2022.6.16	PACK

A

纸箱1PCS

纸板1PCS

PE袋1PCS

成品(40PCS/盒)
10*1=10盒

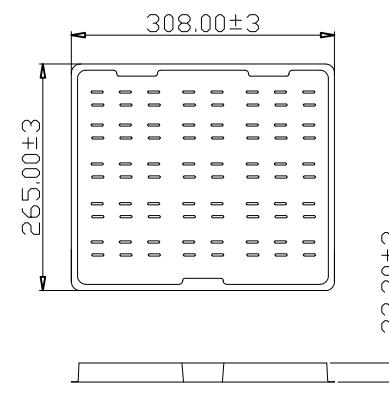
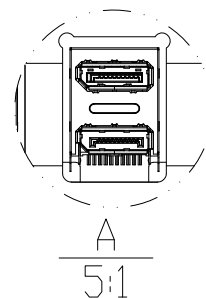
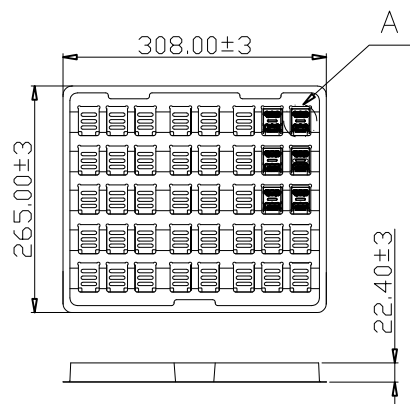
纸板1PCS

拉伸膜

B

C

D



包裝說明:

1. 將產品放入真空盒下蓋，擺放方向需一致。
2. 裝滿后蓋上上蓋。
3. 每10盤為一捆，用PE膜纏好。
4. 將纏好的1捆放入紙箱中。
5. 每盤40PCS，每箱400PCS。

紙箱尺寸: 33*29*26CM

GENERAL DIMENSIONAL TOLERANCE	
X	=±0.35 ; =±2.0'
XX	=±0.25 ; X' =±1.5'
XXX	=±0.15 ; XX' =±1.0'
PROJECTION	UNIT
	mm
SIZE	SCALE
A4	1:1

D.R.	PACK 2022.6.16	NAME:	双层DP 鱼叉脚 包装图
CH.K	JOHN 2022.6.16	PART NO.	ABPDPO1780011
APV.D	JOHN 2022.6.16	FILE NO.	
		SHEET 1 OF 1	REV: AO

CUSTOMER