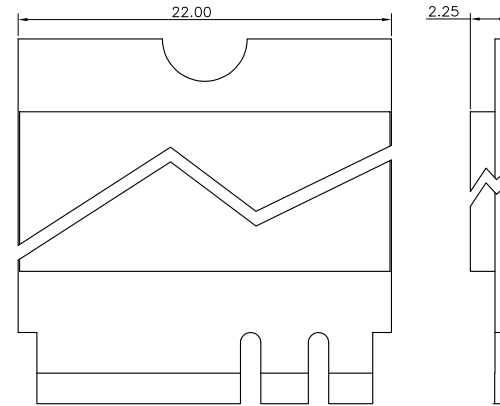
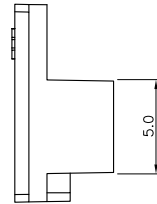
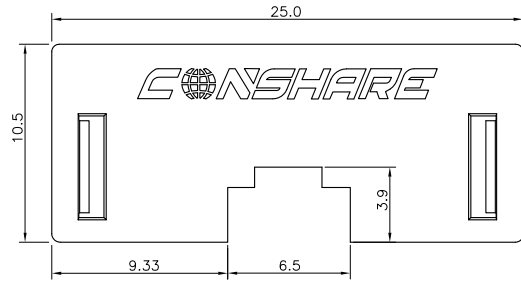
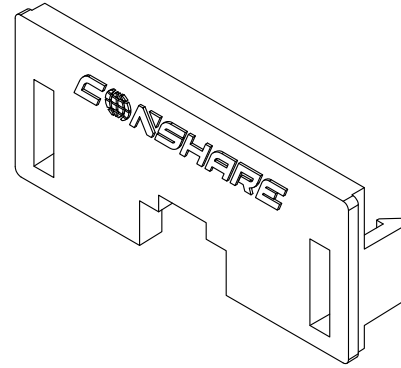
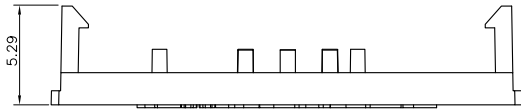


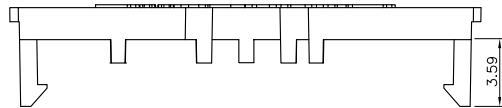
承认图面

REV.	ECN NO./DESCRIPTION	DATE
1	/	19/06'23
2	加柱	10/07'23



RECOMMENDED PCBA
 DEFAULT TOLERANCE ± 0.10

- NOTES:
- MATERIAL SPECIFICATION,
 - HOUSING: PC UL-94V0,LUCENCY;
 - MECHANICAL PERFORMANCE,
 - DURABILITY:30 CYCLES
 - RoHS OR HALOGEN FREE COMPLIANT, AM2022008LUXX
- PRODUCT SERIAL NUMBER
 COLOUR LU:LUCENCY
 PRODUCT THICKNESS:
 008=0.8mm
 PRODUCT WIDTH:022=22mm



GENERAL TOLERANCES UNLESS SPECIFIED		PART NO. AM2022008LU01				
X ± 0.35	X.° ± 3°					
.XX ± 0.25	.X.° ± 2°	APPROVED BY JACK	TITLE WIFI塑胶卡扣			
.XXX ± 0.15	.XX.° ± 1°					
CUSTOMER DRAWING		CHECKED BY CC	DWG NO. AM2022008LU01			
SIZE A4	UNITS MM [INCH]	DRAWN BY FH		SHEET 1/1	SCALE 1:1	REV 2