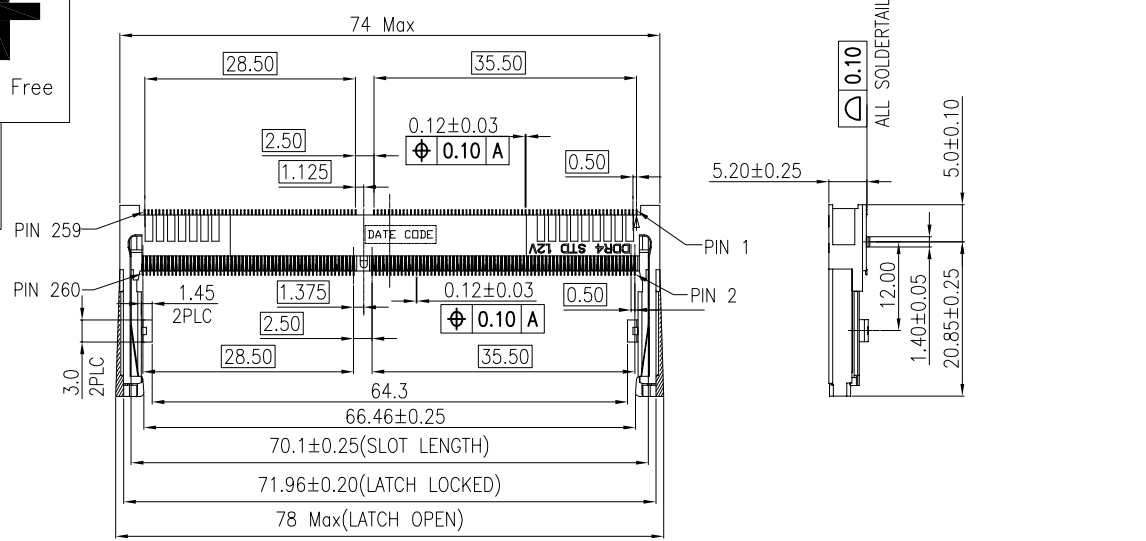


# HF

Halogen Free



REV.	ECN NO.	LOCATION	DESCRIPTION	DATE	DESIGN
A2			REVISE	8/18'15	Wang.lie
B			REVISE	9/29'16	Wang.lie



NOTES:

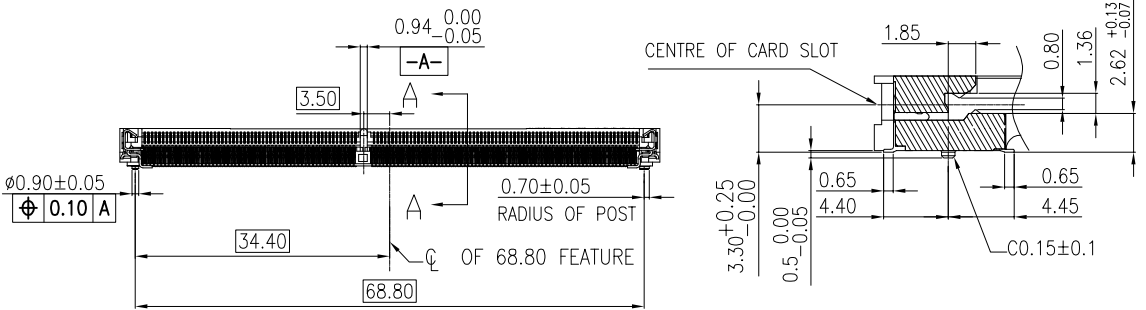
1. MATERIAL:

- HOUSING: LCP, UL 94V-0, COLOR: BLACK.
- CONTACT: PHOSPHOR BRONZE.
- SOLDER PEG AND LATCH: STAINLESS STEEL.

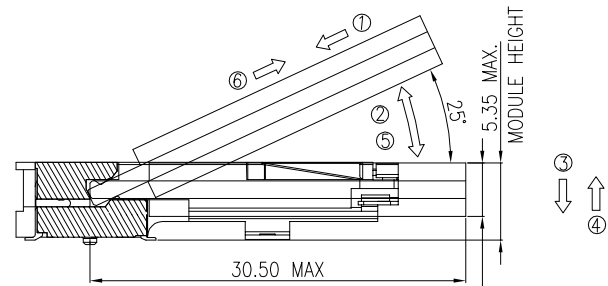
2. FINISH:

- CONTACT: 50u" MIN NICKEL UNDERPLATED ALL OVER. GOLD FLASH PLATING ON SOLDERTAIL. GOLD PLATING (THICKNESS SEE TABLE) ON CONTACT AREA.
- SOLDER PEG: 50u" MIN NICKEL UNDERPLATED ALL OVER. AU 2u" MAX ON SOLDERTAIL.

3. DATE CODE : YYWWDLX  
 YY: YEAR (09: 2009)  
 WW: WEEK (25: THE 25TH WEEK)  
 D: DAY (1~7: SUNDAY~SATURDAY)  
 L: LINE NUMBER OF ASSEMBLY (A: LINE A)  
 X: D OR N (D: DAY; N: NIGHT)



SECTION:A-A  
SCALE 2:1



DIM	TOL	DIM	TOL
.x	±0.35	x.	±3'
.xx	±0.25	.x'	±2'
.xxx	±0.15	.xx'	±1'

**CONSHARE**

CUSTOMER DRAWING	DATE	TITLE: DDR4 SO DIMM 260P 5.2H STD C-DWG
DESIGN: Wang.lie	9/29'16	P/N: A101002606103
CHECK: Bill.lin	9/29'16	SHEET: 1/3
APPROVAL: Bill.lin	9/29'16	SCALE: 1:1 UNIT: mm

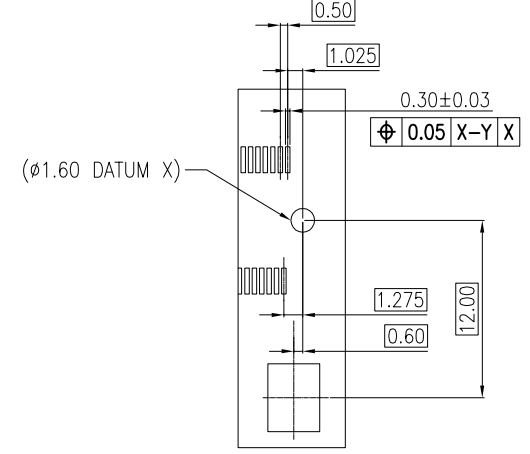
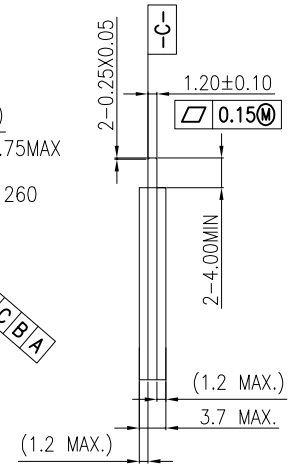
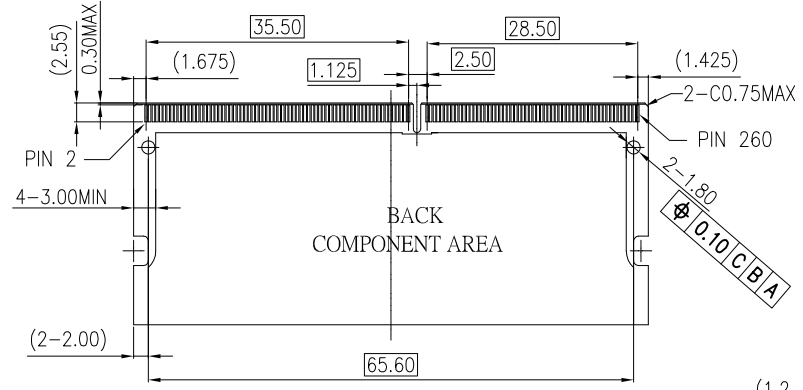
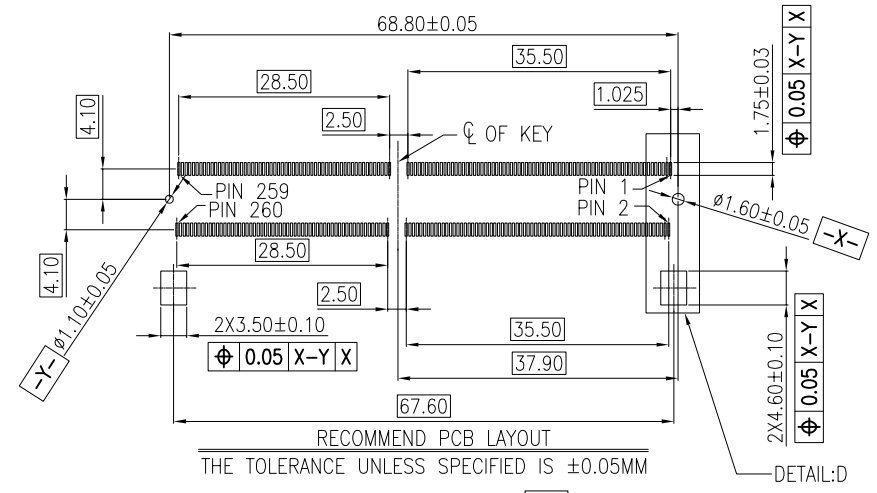
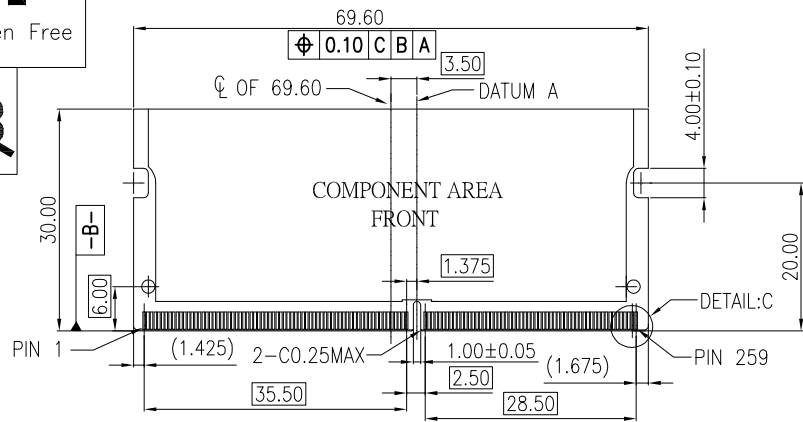
DRAW NO. T-15-0256  
 REV. B

# HF

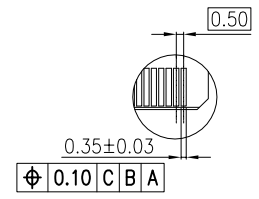
Halogen Free



REV.	ECN NO.	LOCATION	DESCRIPTION	DATE	DESIGN
A2			REVISE	8/18'15	Wang.lie
B			REVISE	9/29'16	Wang.lie



DETAIL:D  
SCALE 2:1



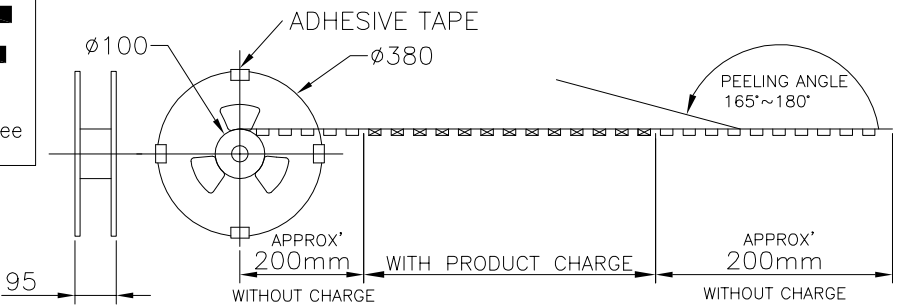
DETAIL:C  
SCALE 2:1

DIM	TOL	DIM	TOL
.x	±0.35	x.'	±3'
.xx	±0.25	.x'	±2'
.xxx	±0.15	.xx'	±1'

DRAW NO. T-15-0256				CUSTOMER DRAWING	DATE	TITLE: DDR4 SO DIMM 260P 5.2H STD C-DWG
				DESIGN: Wang.lie	9/29'16	
REV. B	APPROVAL: Bill.lin	9/29'16	P/N: A101002606103	SHEET: 2/3		
SCALE: 1:1		UNIT: mm				

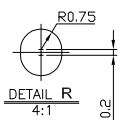
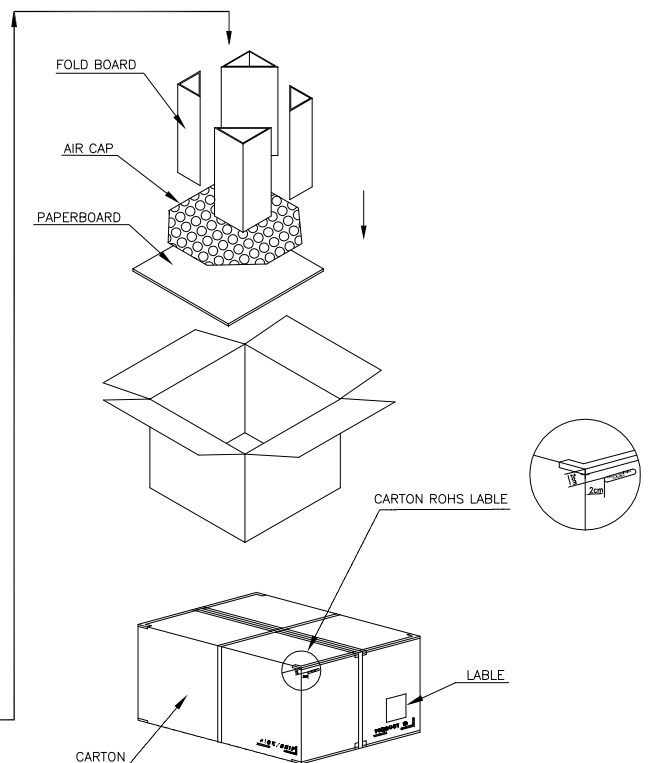
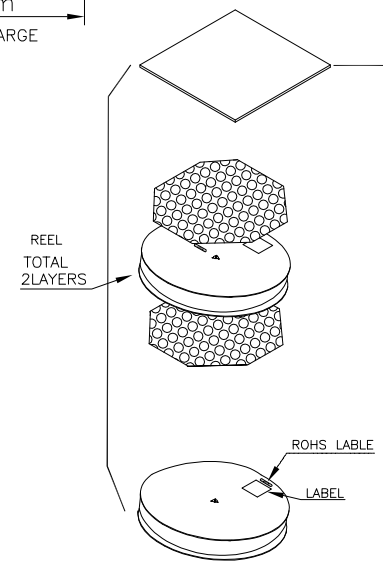
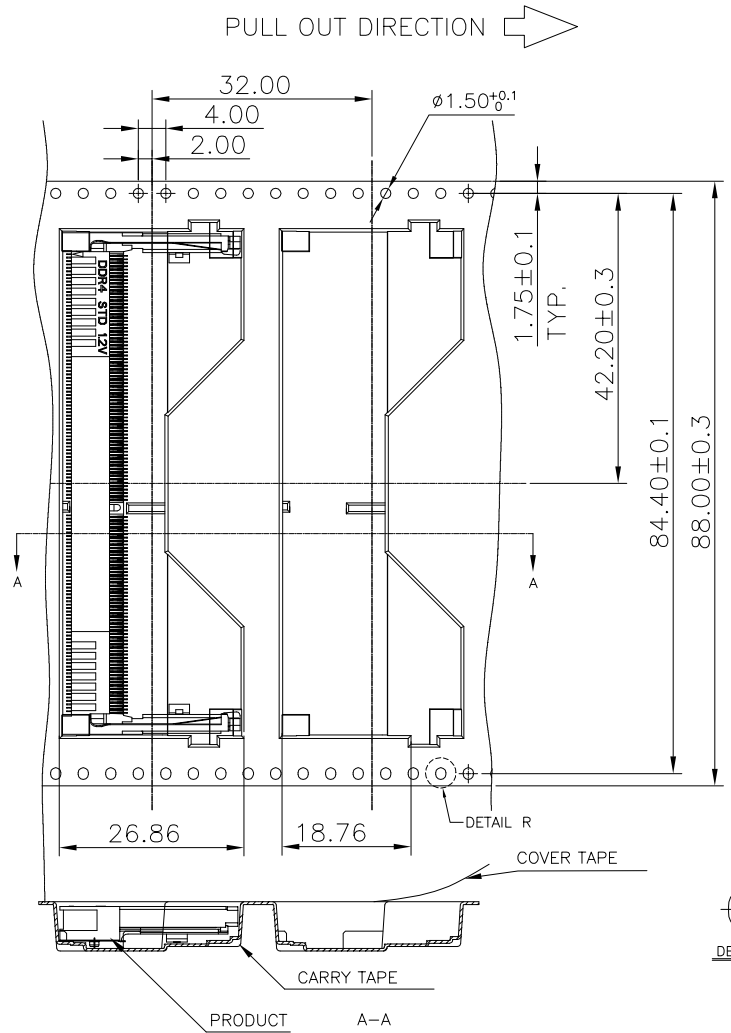
# HF

Halogen Free



REV.	ECN NO.	LOCATION	DESCRIPTION	DATE	DESIGN
A2			REVISE	8/18'15	Wang.lie
B			REVISE	9/29'16	Wang.lie

A  
B  
C  
D  
E



400	2	800	A101002606103
PCS/REEL	REEL/CARTON	PCS/CARTON	PART NUMBER

DIM	TOL	DIM	TOL
.x	±0.35	x.'	±3'
.xx	±0.25	.x'	±2'
.xxx	±0.15	.xx'	±1'

CUSTOMER DRAWING		DATE	TITLE: DDR4 SO DIMM 260P 5.2H STD C-DWG
DESIGN:	Wang.lie	9/29'16	
CHECK:	Bill.lin	9/29'16	
REV.	B	APPROVAL:	Bill.lin 9/29'16
DRAW NO. T-15-0256		P/N: A101002606103	
SHEET: 3/3		SCALE: 1:1 UNIT: mm	

1 2 3 4 5 6 7 8